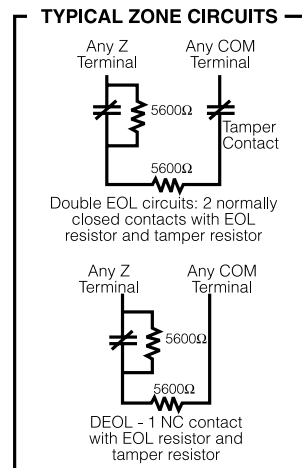
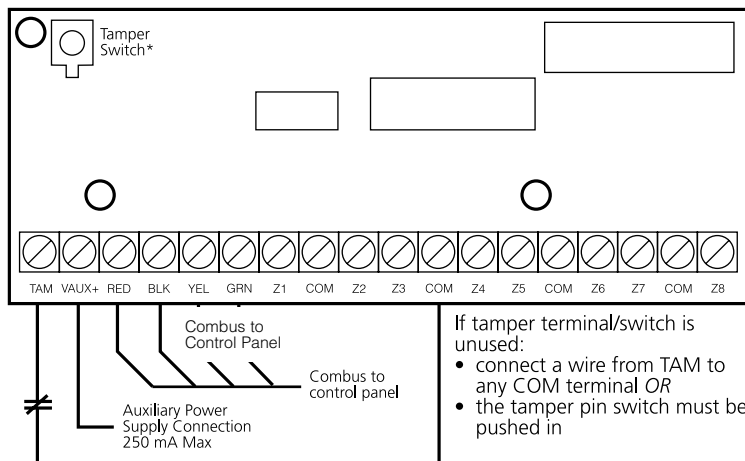


PC6108

Zone Input Module

Installation Instructions



1. Introduction

The PC6108 is a zone input module that adds up to 8 fully programmable zones to the PC6010 security system.

2. Specifications

- Connects to control panel via 4-wire Combus
- Current Draw: 30 mA (from Combus)
- Supports no end-of-line, single end-of-line and double end-of-line zone loops (5600 ohm resistors)
- AUX+ Output: 12 VDC, 250mA max. (power drawn from Combus)
- Tamper contact input
- Up to 30 modules per system

Compatible Cabinets

- PC4003C *
 - PC4006C **
- * Supports 2 units
**Supports up to 10 units

3. Installing the PC6108

3.1 Unpacking

The PC6108 package includes the following parts:

- One PC6108 circuit board
- 16 end-of-line resistors (5600 ohms)
- Three plastic stand-offs

3.2 Mounting

The PC6108 should be located inside a compatible cabinet, mounted in a dry, secure location. Preferably, it should be placed at a convenient distance from the connected devices.

Perform the following steps to mount the unit:

1. Press the three plastic stand-offs through the mounting holes at back of the cabinet.
2. Secure the cabinet to the wall in the desired location. Use appropriate wall anchors when securing the cabinet to drywall, plaster, concrete, brick or other surfaces.
3. Press the circuit board into the three plastic stand-offs to secure the module to the cabinet.

Once the unit is mounted, wiring may be completed.

3.3 Installation and Wiring

Before beginning to wire the unit, ensure that all power (AC transformer and battery) is disconnected from the control panel.

Perform the following steps to complete wiring:

1. Connect the four Combus wires to the PC6108. Connect the red, black, yellow and green Combus wires to the RED, BLK, YEL and GRN terminals, respectively.
2. Complete all zone wiring to the zone input terminals (Z1-Z8). See the control panel Installation Manual for details on zone wiring configurations.
3. Connect the external tamper switch, if used.

Consult the wiring diagram above for further information.

3.4 Applying Power

After all wiring is completed, apply power to the control panel. Connect the battery leads to the battery, then connect the AC transformer. For more information on control panel power specifications, see the control panel Installation Manual.

NOTE: Do not connect the power until all wiring is complete.

Please refer to the System Installation Manual for information on limitations regarding product use and function and information on the limitations as to liability of the manufacturer.

4. Enrolling the Module

NOTE: By default, before you can enroll modules, or change any system programming, a user must tell the system to "Allow System Service". The system will then allow access to Installer's Programming for 60 minutes. Any user with a Master code can tell the system to allow service at a system keypad. The default Master code is [1234].

See the *Maintenance Manual* for more information. See the *Programming Manual* – "Download Section" for more information on the "User Allows Serv" toggle option.

Once all wiring is complete, the module must be enrolled on the system. To enroll the module, perform the following:

1. Enter installer's programming by pressing [*] [8] [Installer's Code].
2. Scroll to "Module Hardware" and press the [*] key.
3. Scroll to "Enroll Module" and press the [*] key.
4. Scroll through the different modules until "PC61XX" is displayed. Press the [*] key.
5. The message "Create Tamper on Desired Unit" will be displayed. To create the required tamper, secure the tamper zone on the module and then open it. The transition from secure to violated enrolls the module. After this is done, the keypad will display the module number and will confirm enrollment (e.g. "PC6108 Mod 01 Enrolled").

Zones 001 to 016 are located on the main control panel.

Additional zones are added in sequence. For example, if two PC6108 zone expanders are enrolled, the first one enrolled will be assigned zones 017 to 024 and the second will be assigned zones 025 to 032. To confirm which zones are assigned to which expander, press the arrow key when the enrollment confirmation message is displayed. Be sure to record which zones are assigned to the expander module on the worksheet, opposite.

For more information regarding module enrollment, see the control panel Installation Manual.

5. Programming the Module

To access PC6010 programming, have a user allow System Service, then enter [*][8] followed by the Installer's code. The zones connected to the module must be added to an area and programmed for operation. The programming worksheet located on this sheet indicates which sections must be programmed. For more information regarding zone programming, see the System and Programming Manuals.

NOTE: The zone types and attributes listed below are for PC6010 v2.0. For zone programming for the software versions, see the corresponding programming manual.

Alarm/Value/Seismic Group 1 - 0 - 01→32 - 3

System Zone 1 - 0 - 01→32 - 3 - 0

Zone Label 1 - 0 - 01→32 - 3 - 1 - which zone - 0

Zone Type 1 - 0 - 01→32 - 3 - 1 - which zone - 1

Zone Options 1 - 0 - 01→32 - 3 - 1 - which zone - 2

Alarm Group 1 - 0 - 01→32 - 3 - 1 - which zone - 3

Value Group 1 - 0 - 01→32 - 3 - 1 - which zone - 4

Seismic Group 1 - 0 - 01→32 - 3 - 1 - which zone - 5

• List of Zone Type Options:

- | | | | | | |
|----------------------|-----------------|----------------------|---------------------|----------------------|--------------------|
| [00] Standard Delay | [03] Instant | [06] 24 Hr Bell/Buzz | [09] Auto Ver Fire | [12] Hold Up | [15] 24 Hr Medical |
| [01] force Arm Delay | [04] Interior | [07] 24 Hr Buzzer | [10] Momentary Arm | [13] Auxiliary | [16] Seismic |
| [02] Auxiliary Delay | [05] 24 Hr Bell | [08] Standard Fire | [11] Maintained Arm | [14] 24 Hr Auxiliary | |

* List of Zone Options: A = Audible P = Pulsed B = Bypassable C = Chime T = Tx Delay

System Zone	Zone Label	Zone Type•	Zone Options* A P B C T	Seismic Group
_____	_____	_____	_____	_____
	Group #	1 2 3 4 5 6 7 8 9 10 11 12 13 14 15 16 17 18 19 20 21 22 23 24 25 26 27 28 29 30 31 32		
	Areas 01 - 32	_____		
	Alarm Group	_____		
	Value Group	_____		
	Zone Label	Zone Type•	Zone Options* A P B C T	Seismic Group
_____	_____	_____	_____	_____
	Group #	1 2 3 4 5 6 7 8 9 10 11 12 13 14 15 16 17 18 19 20 21 22 23 24 25 26 27 28 29 30 31 32		
	Areas 01 - 32	_____		
	Alarm Group	_____		
	Value Group	_____		
	Zone Label	Zone Type•	Zone Options* A P B C T	Seismic Group
_____	_____	_____	_____	_____
	Group #	1 2 3 4 5 6 7 8 9 10 11 12 13 14 15 16 17 18 19 20 21 22 23 24 25 26 27 28 29 30 31 32		
	Areas 01 - 32	_____		
	Alarm Group	_____		
	Value Group	_____		
	Zone Label	Zone Type•	Zone Options* A P B C T	Seismic Group
_____	_____	_____	_____	_____
	Group #	1 2 3 4 5 6 7 8 9 10 11 12 13 14 15 16 17 18 19 20 21 22 23 24 25 26 27 28 29 30 31 32		
	Areas 01 - 32	_____		
	Alarm Group	_____		
	Value Group	_____		
	Zone Label	Zone Type•	Zone Options* A P B C T	Seismic Group
_____	_____	_____	_____	_____
	Group #	1 2 3 4 5 6 7 8 9 10 11 12 13 14 15 16 17 18 19 20 21 22 23 24 25 26 27 28 29 30 31 32		
	Areas 01 - 32	_____		
	Alarm Group	_____		
	Value Group	_____		
	Zone Label	Zone Type•	Zone Options* A P B C T	Seismic Group
_____	_____	_____	_____	_____
	Group #	1 2 3 4 5 6 7 8 9 10 11 12 13 14 15 16 17 18 19 20 21 22 23 24 25 26 27 28 29 30 31 32		
	Areas 01 - 32	_____		
	Alarm Group	_____		
	Value Group	_____		



©1999 Digital Security Controls Ltd.
Toronto, Canada
1-800-387-3630 • www.dscgrp.com

Printed in Canada 29004925 R001