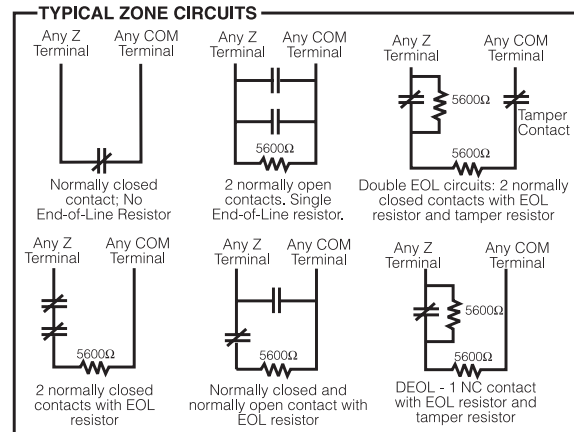
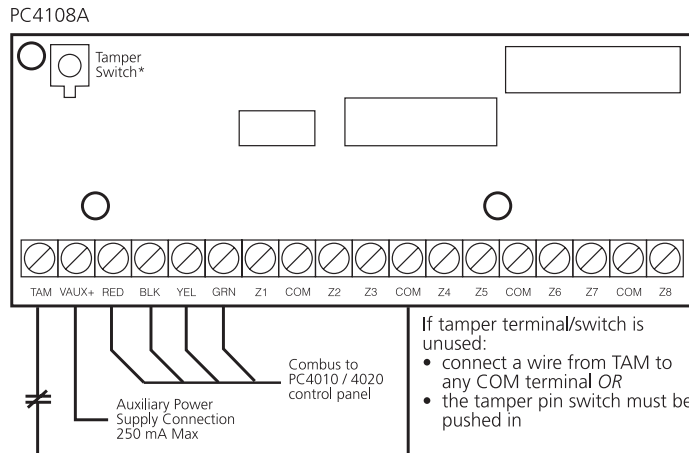


Installation Instructions



1. Introduction

The PC4108A is a zone input module that adds up to 8 fully programmable zones to the Maxsys security system.

2. Specifications

- Connects to control panel via 4-wire Combus
- Current Draw: 30 mA (from Combus)
- Supports no end-of-line, single end-of-line and double end-of-line zone loops (5600 ohm resistors)
- AUX+ Output: 12 VDC, 250mA max. (power drawn from Combus)
- Tamper contact input

Compatible Cabinets

- PC4050C/CR** PC4052C/CR**
- PC4051C/CR** PC5001C/CP*

* PC4108AT (tamper) use with PC5001CP cabinet only

**CR cabinets for North American customers only

3. Installing the PC4108A

3.1 Unpacking

The PC4108A package includes the following parts:

- One PC4108A circuit board
- 16 end-of-line resistors (5600 ohms)
- Three plastic stand-offs

3.2 Mounting

The PC4108A should be located inside a compatible cabinet, mounted in a dry, secure location. Preferably, it should be placed at a convenient distance from the connected devices.

Perform the following steps to mount the unit:

- Press the three plastic stand-offs through the mounting holes at back of the cabinet.
- Secure the cabinet to the wall in the desired location. Use appropriate wall anchors when securing the cabinet to drywall, plaster, concrete, brick or other surfaces.
- Press the circuit board into the three plastic stand-offs to secure the module to the cabinet.

Once the unit is mounted, wiring may be completed.

3.3 Installation and Wiring

Before beginning to wire the unit, ensure that all power (AC transformer and battery) is disconnected from the control panel.

Perform the following steps to complete wiring:

- Connect the four Combus wires to the PC4108A. Connect the red, black, yellow and green Combus wires to the RED, BLK, YEL and GRN terminals, respectively.
- Complete all zone wiring to the zone input terminals (Z1-Z8). See the control panel Installation Manual for details on zone wiring configurations.
- Connect the external tamper switch, if used.

Consult the wiring diagram above for further information.

3.4 Applying Power

After all wiring is completed, apply power to the control panel. Connect the battery leads to the battery, then connect the AC transformer. For more information on control panel power specifications, see the control panel Installation Manual.

NOTE: Do not connect the power until all wiring is complete.

4. Enrolling the Module

Once all wiring is complete, the module must be enrolled on the system. To enroll the module, perform the following:

- Enter installer's programming by pressing [*] [8] [Installer's Code].
- Scroll to "Module Hardware" and press the [*] key.
- Scroll to "Enroll Module" and press the [*] key.
- Scroll through the different modules until "PC41XX" is displayed. Press the [*] key.
- The message "Create Tamper on Desired Unit" will be displayed. To create the required tamper, secure the tamper zone on the module and then open it. The transition from secure to violated enrolls the module. After this is done, the keypad will display the module number and will confirm enrollment (e.g. "PC4108 Mod 01 Enrolled").

Please refer to the System Installation Manual for information on limitations regarding product use and function and information on the limitations as to liability of the manufacturer.

Zones 1-8 (PC4010)/1-16 (PC4020) are located on the main control panel. Additional zones are added in sequence. For example, if two PC4108A zone expanders are enrolled, the first one enrolled will be assigned zones 17 to 24 and the second will be assigned zones 25 to 32. To confirm which zones are assigned to which expander, press the arrow key when the enrollment confirmation message is displayed.

For more information regarding module enrollment, see the control panel Installation Manual.

5. Programming the Module

To access PC4010/4020 programming, enter [*][8] followed by the Installer's code. The zones connected to the module must be added to a partition and programmed for operation. The programming worksheet located on this sheet indicates which sections must be programmed. For more information regarding zone programming, see the control panel Installation Manual.

NOTE: The zone types and attributes listed below are for PC4010/4020 v3.0. For zone programming for previous software versions, see the corresponding programming manual.

Zone Assignment

[Partition Area > Add/Edit Par]

XX= Partitions 01-08 (PC4020) 01-04 (PC4010)

- [0100XX0300] Add New Zone
- [0100XX0301] Edit Zone
- [0100XX0302] Delete Zone "ZONE XXX"

Zone Attributes:

- A1= Bell Audible
- A2= Bell Pulsed
- A3= Bypass Enabled
- A4= Chime Function
- A5= Force Arm
- A6= Swgr Shut Down
- A7= TX Delay
- A8= Waterflow Del

Zone Attribute Defaults

	A1	A2	A3	A4	A5	A6	A7	A8
[00] Standard Delay	Y	N	Y	Y	N	Y	N	N
[01] Auxiliary Delay	Y	N	Y	Y	Y	Y	N	N
[02] Instant	Y	N	Y	Y	N	Y	N	N
[03] Interior	Y	N	Y	N	N	Y	N	N
[04] Interior Delay	Y	N	Y	N	N	Y	N	N
[05] Int Stay Away	Y	N	Y	N	Y	Y	N	N
[06] Delay Stay Away	Y	N	Y	N	Y	Y	N	N
[07] Standard Fire	Y	Y	N	N	N	N	N	N
[08] Delayed Fire	Y	Y	N	N	N	N	N	N
[09] Auto Ver Fire	Y	Y	N	N	N	N	N	N
[10] Waterflow	Y	Y	N	N	N	N	N	N
[11] Fire Supervis.	N	Y	N	N	N	N	N	N
[12] 24 Hr Bell	Y	N	Y	N	N	N	N	N
[13] 24 Hr Bell/Buzz	Y	N	Y	N	N	N	N	N
[14] 24 Hr Buzzer	Y	N	Y	N	N	N	N	N
[15] 24 Hr Technical	N	N	N	N	N	N	N	N
[16] 24 Hr Gas	Y	N	Y	N	N	N	N	N
[17] 24 Hr Heat	Y	Y	N	N	N	N	N	N
[18] 24 Hr Medical	N	N	Y	N	N	N	N	N
[19] 24 Hr Emergency	Y	N	Y	N	N	N	N	N
[20] 24 Hr Water	Y	N	Y	N	N	N	N	N
[21] 24 Hr Freeze	Y	N	Y	N	N	N	N	N
[22] 24 Hr Holdup	N	N	N	N	N	N	N	N
[23] 24 Hr Panic	N	N	N	N	N	N	N	N
[24] Latching 24 Hr	Y	N	N	N	N	N	N	N
[25] Momentary Arm	Y	N	N	N	N	N	N	N
[26] Maintained Arm	Y	N	N	N	N	N	N	N
[27] Forced Answer	N	N	Y	N	Y	N	N	N
[28] Links Supervis.	N	N	Y	N	Y	N	N	N
[29] Links Answer	N	N	Y	N	Y	N	N	N

System Zone	Partition								ZoneLabel	ZoneType	A1	A2	A3	A4	A5	A6	A7	A8
	1	2	3	4	5	6	7	8										
1.	---																	
2.	---																	
3.	---																	
4.	---																	
5.	---																	
6.	---																	
7.	---																	
8.	---																	

FCC COMPLIANCE STATEMENT

CAUTION: Changes or modifications not expressly approved by Digital Security Controls Ltd. could void your authority to use this equipment. This equipment generates and uses radio frequency energy and if not installed and used properly, in strict accordance with the manufacturer's instructions, may cause interference to radio and television reception. It has been type tested and found to comply with the limits for Class B device in accordance with the specifications in Subpart "B" of Part 15 of FCC Rules, which are designed to provide reasonable protection against such interference in any residential installation. However, there is no guarantee that interference will not occur in a particular installation. If this equipment does cause interference to television or radio reception, which can be determined by turning the equipment off and on, the user is encouraged to try to correct the interference by one or more of the following measures:

- Re-orient the receiving antenna
- Relocate the alarm control with respect to the receiver
- Move the alarm control away from the receiver
- Connect the alarm control into a different outlet so that alarm control and receiver are on different circuits.

If necessary, the user should consult the dealer or an experienced radio/television technician for additional suggestions. The user may find the following booklet prepared by the FCC helpful: "How to Identify and Resolve Radio/Television Interference Problems". This booklet is available from the U.S. Government Printing Office, Washington, D.C. 20402, Stock # 004-000-00345-4.

This Class B digital apparatus meets all requirements of the Canadian interference-causing equipment regulations. Cet appareil numérique de la Classe B respecte toutes les exigences de règlement sur le matériel brouilleur du Canada.

