



PRODUCT
PARVIS
SOLAR SMA

Product code PARVIS SL SMA

PARVIS SOLAR SMA



DOUBLE OPTIC PERIMETER BARRIER
INVISIBLE ANTI-INTRUSION SYSTEM

INSTALLATION AND MOUNTING MANUAL VERSION 3.0

Table of contents

1. Introduction.....	3
2. Product description	3
3. General warnings.....	4
3.1 Additional warnings for devices powered by mains voltage	
3.2 Installation warnings	
4. List of main components	5
5. Preparation for installation	6
5.1 Preparation of the barrier parts before installation	
5.2 It is advisable to carry out	
6. Assembly and positioning of the cable pit.....	7
6.1 Assembly and installation	
6.2 Cable pit positioning	
7. Mounting the base on the cable pit	9
8. Evaluations before installation.....	10
8.1 Introduction to barriers	
9. Barrier positioning.....	11
9.1 Precautions before installation	
10. Installation examples.....	12
10.1 Barrier control	
11. SK WS RX Motherboard Connections.....	13
12. SK WS TX Motherboard Connections.....	14
13. Barrier alignment.....	15
13.1 Calibration using SMA system	
13.2 Alignment	
14. Intervention time adjustment	19
15. Details of settings and functions	20
15.1 SK WS TX motherboard	
15.2 SK WS RX motherboard	
15.3 Transmitter optic	
15.4 Receiver optic	
16. Insulating resin for electrical connections	24
17. Technical specifications	25
18. FAQ.....	25
19. Product disposal.....	27

1. Introduction

Congratulations on having purchased the Politec perimeter barrier. This appliance guarantees long-lasting and reliable operation if installed correctly. For correct and effective use, it is necessary to read this instruction manual carefully.



The system has been designed to detect intrusions and activate the alarm; it is not a device that prevents intrusion. Politec is not responsible for damage, injury or loss caused by accidents, theft, force majeure (including momentary lightning-induced overcurrent), abuse, improper or incorrect use, faulty installation or inadequate maintenance.

2. Product description

The double optic infrared perimeter barrier consists of an infrared receiver and transmitter. Operation is based on the "AND" logical operations: in other words, the alarm is activated only in the event of simultaneous interruption of two superimposed beams.

N.B.: These barriers use optical synchronism. The receiver must see ONLY and exclusively its transmitter. It MUST NOT see signals from other barriers, IR lights such as photocells or flashing lights. It is not recommended for use in indoor applications where there are many reflections and light sources

This barrier is ideal for perimeter protection of internal and external areas.
The main features of this barrier are:

- Adjustable intervention time which allows you to adapt to the characteristics of the site to be protected;
- Protection beam angle adjustment both vertically and horizontally;
- Set up for floor mounting;
- Optical alignment with SMA function;
- Adjustable configuration for managing each individual optic
- Contact signalling barrier opening.



Warnings

Mounting, installation of the barrier and connection to the mains must be carried out by expert and qualified personnel, in compliance with rules and regulations applicable to electrical systems.

3.General warnings

This installation manual contains important information regarding safety for installation: it is necessary to read all the instructions before proceeding with the installation.

Keep this manual for future use.

- If you have any questions or doubts during installation, do not carry out any operations and contact the distributor's support service.
- Use of these products for purposes other than those specified in these instructions is prohibited.
- You must not make any changes to the components of the product unless stated in the manual in order not to void the warranty; such operations can only lead to malfunctions; Politec assumes no liability for malfunctions or damage due to modified products.
- Depending on the specific situation of use, check for the need for additional devices: detectors or signalling devices.
- During installation, mounting and use of the product, make sure no foreign objects (solids, metals or liquids) are able to penetrate inside the open devices.
- Manufacturer's liability:Politec assumes no liability for failures resulting from incorrect installation; lack of maintenance, incorrect assembly or use.
- Politec is also not liable for incorrect or incomplete operation of the product or failure to detect intrusion.
- Warranty (summary of conditions):Politec guarantees its products for a period of 2 years from the production date.The warranty is applied to those purchasing directly from Politec; there is no warranty for the end user who, in the event of breakdowns or faults, must contact the installer or dealer.
- The warranty excludes aesthetic parts as well as parts subject to normal wear and parts subject to normal consumption such as batteries and accumulators.

3.1 Additional warnings for devices powered by mains voltage

This manual is intended only for technical personnel qualified to install such devices.

- Assessing the hazards that may occur during installation and use of the system, in order to achieve complete safety, it is necessary that installation takes place in full compliance with applicable laws, methods, rules and regulations.
- Before accessing the internal terminals of the product, it is necessary to disconnect all the power circuits.
- If automatic circuit breakers or fuses trip, before resetting them it is necessary to identify the fault and repair it.

3.2 Installation warnings

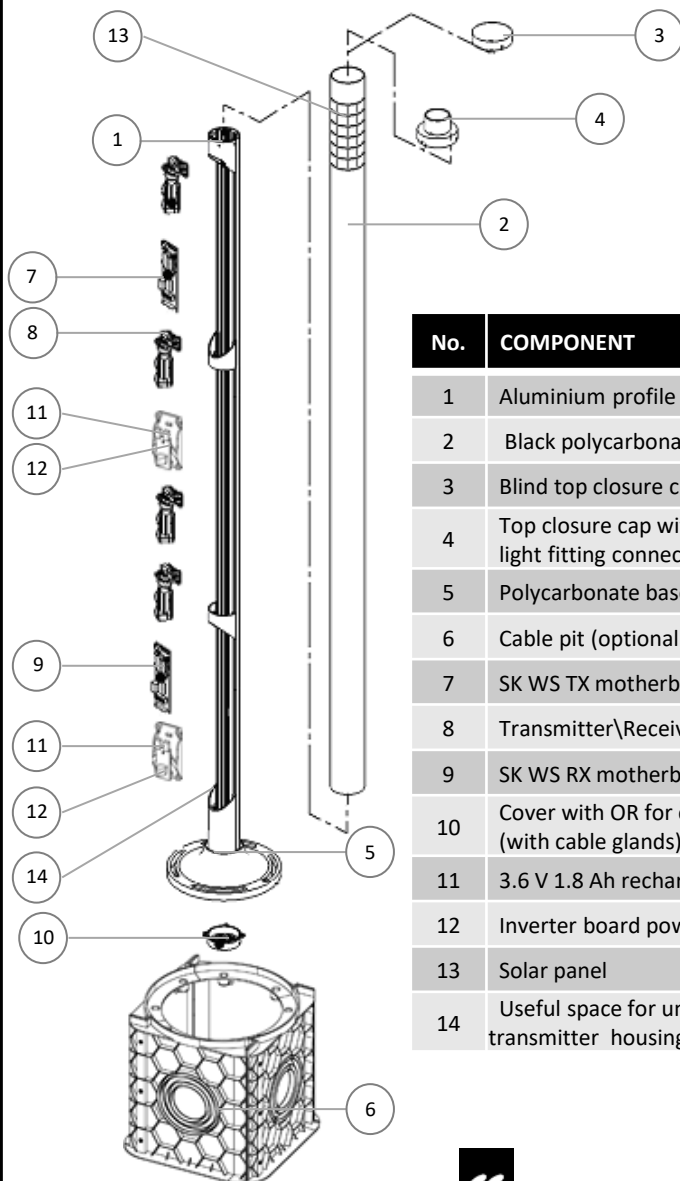
- Check that all the material to be used is in excellent condition and suitable for use.
- Before proceeding with the installation, check the environmental class of the products in the "technical specifications" chapter.
- Check, by comparing with the values shown in the paragraph "technical specifications", that the range of the devices is equal to or lower than the physical distance between the barriers.
- Check that the barrier is positioned in areas protected against potential impact, in flat areas and on fixed supports to avoid oscillations.
- Do not place the system components close to heat sources as they could be damaged.
- Each barrier has its own operating principle: check the instructions for choosing the right position in the respective instruction manual.



4. List of main components

The package contains the following components and accessories.

When opening the package, check that everything has been included.



No.	COMPONENT
1	Aluminium profile
2	Black polycarbonate tube
3	Blind top closure cap
4	Top closure cap with adapter light fitting connection Φ 60mm
5	Polycarbonate base
6	Cable pit (optional accessory)
7	SK WS TX motherboard
8	Transmitter\Receiver optics
9	SK WS RX motherboard
10	Cover with OR for cable entry base (with cable glands)
11	3.6 V 1.8 Ah rechargeable battery
12	Inverter board power supply 3.6 V
13	Solar panel
14	Useful space for universal wireless transmitter housing

5. Preparation for installation

5.1 Preparation of the barrier parts before installation

Since the communication between the barriers can take place wired, via wireless and their alignment can be done optically, it is advisable to firstly check all the component parts of the barriers and any accessories before beginning the installation.

5.2 It is advisable to carry out:

- device configuration on a table;
- a check on the operation of the optical and acoustic alignment
- the permanent fixing of each device;
- the preparation and carrying out of electrical connections.

In order to avoid errors, operating and installation problems, it is advisable to proceed as follows:

- a) Place all the products with the package open on a table;
- b) For the low consumption barrier version for wireless models with universal circuit board housing, insert and connect the radio transmitter, and connect it to the barrier receiver board
- c) Power up the barriers and program them
- d) Test barrier operation;
- e) Place (without fixing) the barriers at the planned points;
- f) Place (without fixing) all the other devices at the planned points;
- g) Check for each barrier that there is sufficient field for radio communication (for wireless versions);
- h) Permanently fix the barriers.

Before proceeding with the installation, it is necessary to check the integrity of the product, the adequacy of the model chosen and the suitability of the environment intended for installation:

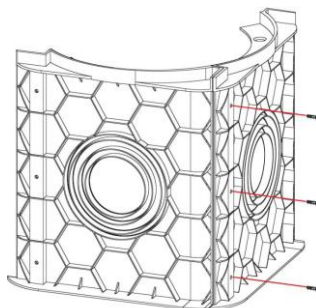
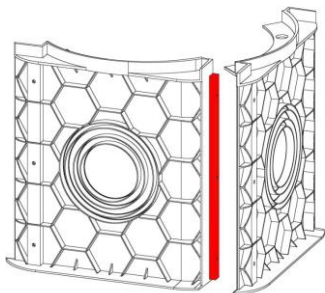
- Check that all conditions of use fall within the "limits of use" and in the "Technical specifications of the product".
- Check that the environment chosen for the installation is compatible with the total footprint of the product.
- Check that the surface chosen for the installation of the product is sturdy so as to ensure stable fixing and that it is adequately protected against possible impacts or the elements.



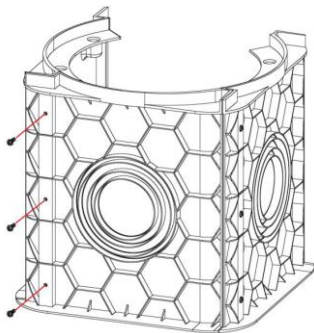
6.Assembly and positioning of the cable pit

6.1 Assembly and installation

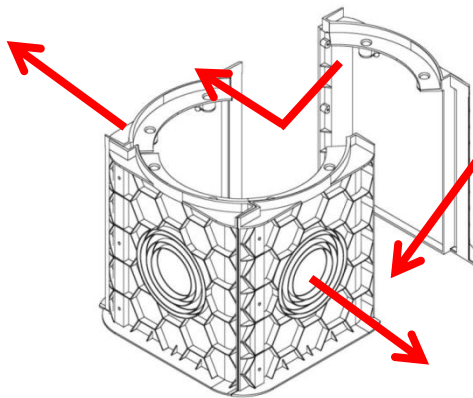
Insert the edge shown in the figure into the slot on the other wall and fix everything with the screws



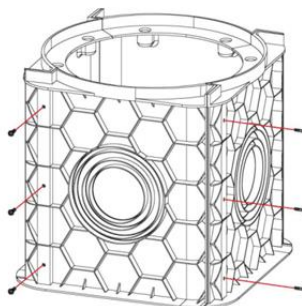
Insert the third side in the same way and tighten the screws



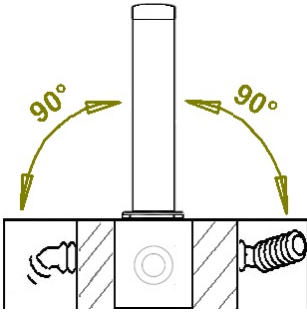
Widen the two opposite walls of the cable pit so you can insert the last side



Insert and fully tighten the missing screws of the two sides



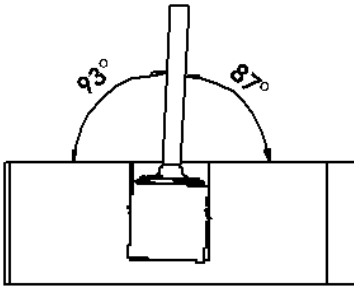
6.2 Cable pit positioning



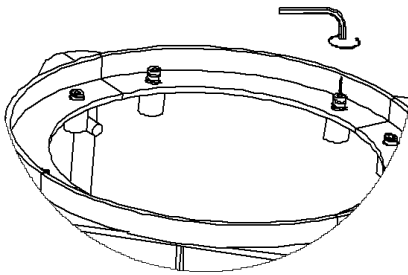
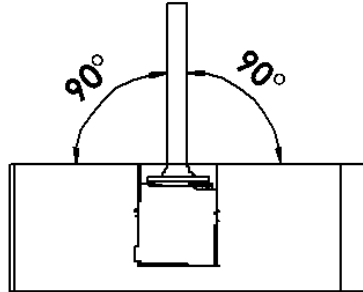
The positioning of the cable pit for the PARVIS column, once assembled, takes place through the masonry keeping the upper edge flush with the ground. However, it is possible to keep the upper edge a few centimetres below ground level, in order to partially cover the base of the column with earth.

POSSIBLE CORRECTION OF INCORRECT CABLE PIT POSITIONING

Incorrect positioning



Vertical level correction by insert adjustment



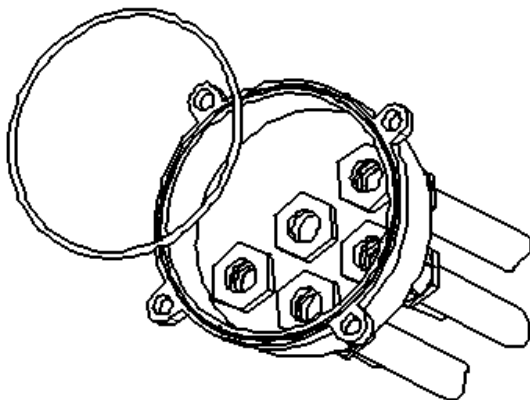
Positioning must take place perpendicular to the ground. If the base is not perfectly level, minor adjustments can be made by adjusting the inserts on the cable pit. By loosening the insert on the appropriate side to be corrected, the PARVIS base is raised to achieve the appropriate vertical alignment.

7. Mounting the base on the cable pit

If you want to finish the column with a light fitting, it is recommended to pass the power cable through one of the cable glands mounted on the cover under the base, leaving enough cable inside the cable pit and insert the cable in the cavity behind the column, up to the top, in order to make the connections.

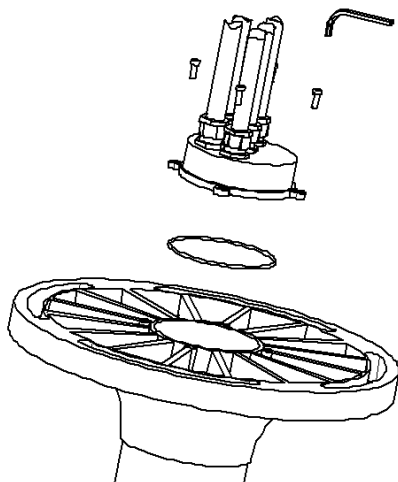
N.B. It is recommended to ALWAYS use the base cover and close any unused holes for cable passage with the cable glands.

Cable entry base cover with OR sealing.



Once the necessary cables have been passed through, the bottom cover is fixed with the screws supplied along with the corresponding gasket.

At the end of the operation, position the column on the cable pit and secure it with the bolts provided, taking roughly into account the directions of the optics.



Cap fixing screw.

Using the cap screws it is possible to rotate the plastic profile by 120° at a time in order to expose the solar panel as much as possible to the midday sun.



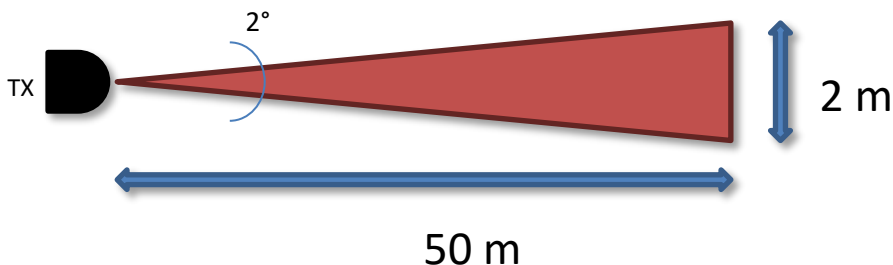
8. Evaluations before installation

8.1 Introduction to barriers

The Active Infrared Barrier is characterised by two components, a TX transmitter that emits a pulsed infrared signal towards the RX receiver. This signal is constantly controlled by a **CODED SYNCHRONISM** which can be **WIRED or OPTICAL** according to the different types of barriers.

The transmitted infrared beam takes on a conical shape: the greater the distance between TX and RX, the greater the diameter of the cone when it arrives.

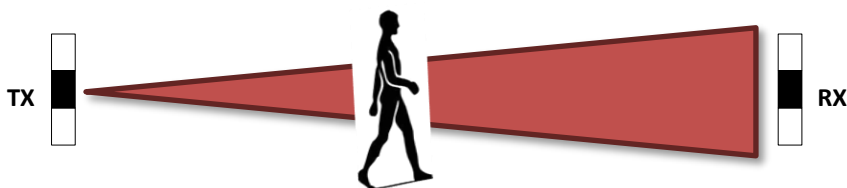
View from above



Signal interruption:ALARM

An active infrared barrier can contain multiple transmitting and receiving stages inside specific columns.

The infrared barriers have multiple controls that significantly limit false alarms, as the genuine alarm signal is given by the complete interruption of the infrared signal.



POWER SUPPLY

The barriers can be divided into two categories, powered at low voltage and connected by wire, or powered by batteries for wireless systems, then combined with radio transmitters to communicate with the alarm control unit, as required by specific sector regulations.

HEATERS

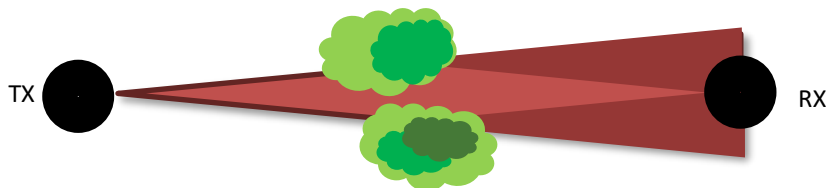
It is recommended to power the thermostating system as, in conditions of high humidity, the condensation that is created on the screen can lead to a significant decrease in the IR signal up to the alarm. For obvious reasons, for battery powered barriers, there is no thermostat control even if set up, therefore to minimise the problem, it is necessary to reduce the working distance between TX and RX, thereby ensuring a good amount of signal constantly, even in case of particular climatic conditions.

9.Barrier positioning

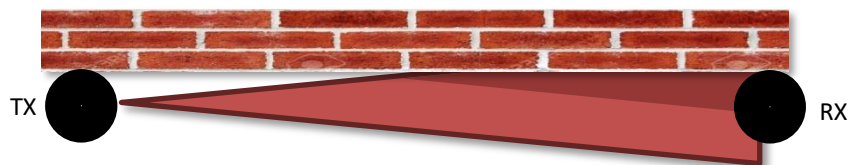
9.1 Precautions before installation

In order to avoid false alarms, it is advisable to place the barriers away from reflecting surfaces, away from walls or anything that can attenuate the signal.

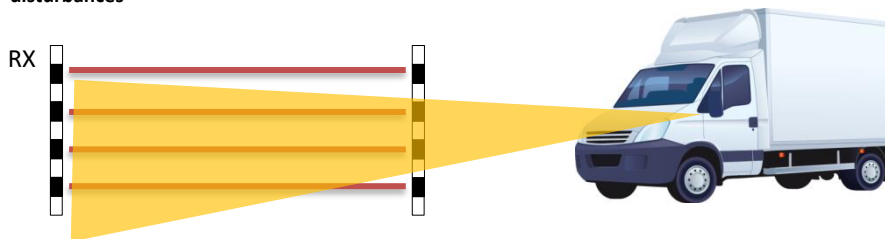
DO NOT place the barriers if there are plants, bushes or fixed objects in the range that obstruct the signal and create "grey areas".Leave a corridor of 50cm for distances between columns greater than 50m



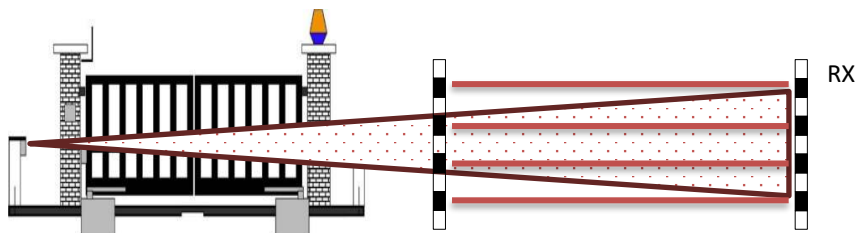
DO NOT place the barriers close to walls: the signal quality may decrease



DO NOT place barriers close to roads: vehicle lights directed towards the RX could create disturbances



DO NOT place barriers near automatic gates: photocell signals can create interference.



10. Installation examples

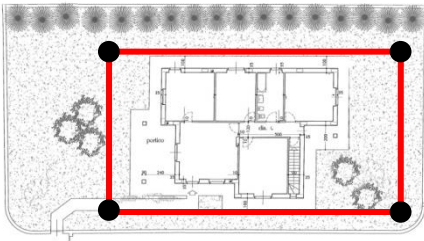
10.1 Barrier control

In addition to standard products, all Politec products can be customised according to the installation needs including height of the columns, number of beams inside and the different ways they are arranged.

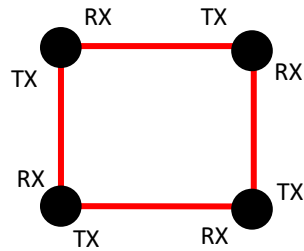
The columns can be mixed, therefore with both TX and RX inside, or they can be terminal columns and have only TX or RX inside them.

It is possible to create perimeter protection of any shape and size.

Arrangement of barriers according to protection needs.



Placing barriers in a closed perimeter



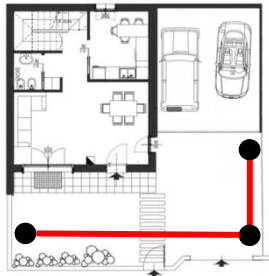
Mixed columns



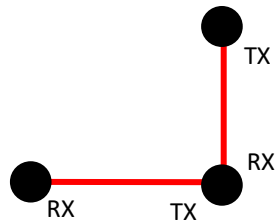
Single barrier system



Terminal columns

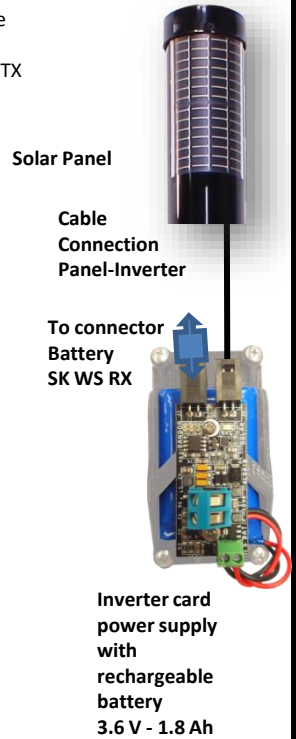
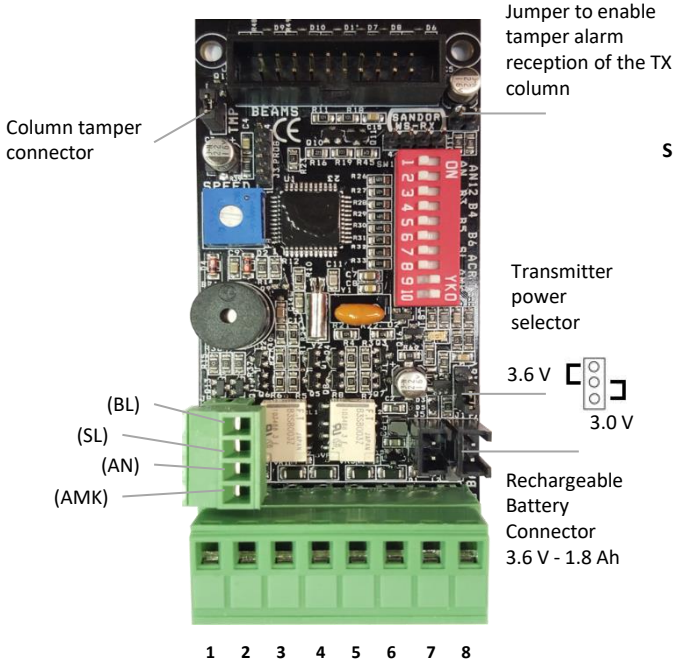


Placing barriers in an open perimeter



Mixed and terminal columns

11.SK WS RX motherboard connections



TERMINAL BOARD with 8 ports

1 / 2	HTR	Heater power supply 24V / 12V (only from external source)
3/4	ALARM	NC alarm output
5 / 6	TAMPER	NC Tamper output
7 / 8	OUTPUT POWER SUPPLY	Output to power the radio transmitter with the voltage of 3.0 V or 3.6 V via the selector

TERMINAL BOARD with 4 ports

BL	BATTERY LOW	Low battery signal output due to the opening from the negative of an open collector (NC)
SL	SIGNAL LOW	Fog disqualification signal output given by the closing to negative of an open collector (NO)
AN	AND FROM REMOTE	By connecting a 3.6 V positive, the AND function is activated by remote control
AMK	ANTIMASK	Output of masking signal given by the closing to negative of an open collector (NO)
TAMPER TX		Removing the jumper disables the optical reception of the tamper alarm of the transmitter barrier, in case of tampering



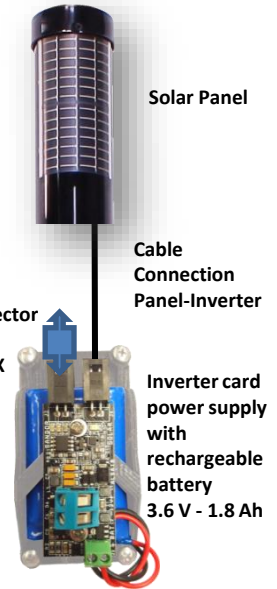
12.SK WS TX motherboard connections

Column tamper connector



1 2 3 4

To connector
Battery
SK WS TX



Rechargeable
Battery
Connector
3.6 V - 1.8 Ah

TERMINAL BOARD with 4 ports

1 / 2	HTR	Heater power supply 24V / 12V (only from external source)
3/4	NN	Not used

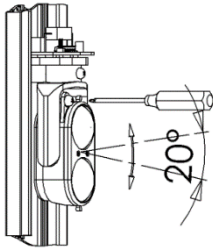
The tamper opening information of the transmitter column is sent optically to the receiver column after 30"; as well as low battery information.



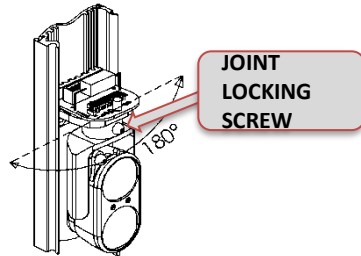
13.Barrier alignment

For correct alignment, once the barriers are installed, orient the optical units of the transmitters and the optical units of the receivers towards each other, adjusting the lens holder horizontally manually, after having loosened the locking screw on the joint and vertically through the front screw located to the left of the lens.

Vertical orientation



Horizontal orientation



N.B.: Tighten the joint locking screw after the adjustment

13.1 Calibration using SMA system

It is possible to improve the calibration by using the supplied filter.

1. Fold the device following the pre-set folds
A blue perforated filter sheet is shown being folded into a rectangular shape. Red curved arrows indicate the fold lines, and a red arrow points to the final folded state.
2. Position the filter in front of the TX inserting the two hooks on the pins of the optic fork. The filter is designed to refine the search for the alignment signal under adverse conditions.
Two diagrams show the filter being inserted into a device. The first shows the filter being moved towards the device. The second shows the filter fully inserted and secured by two hooks.

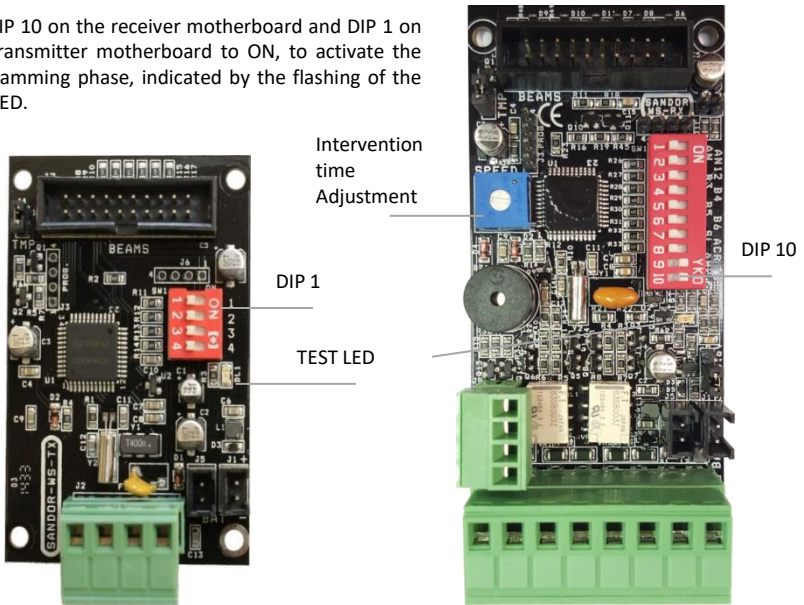
It is sufficient to apply the filter only on the TX, there is no need to repeat the operation also on the RX.



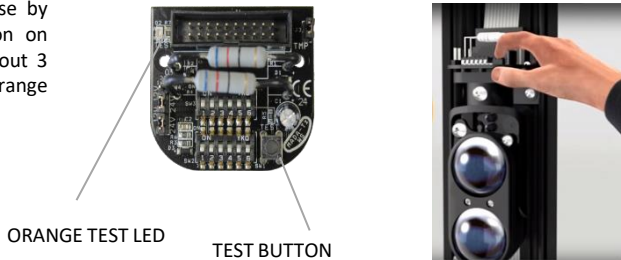
13.2 Alignment

N.B.: once the boards are powered by the batteries, the TEST LED will flash.

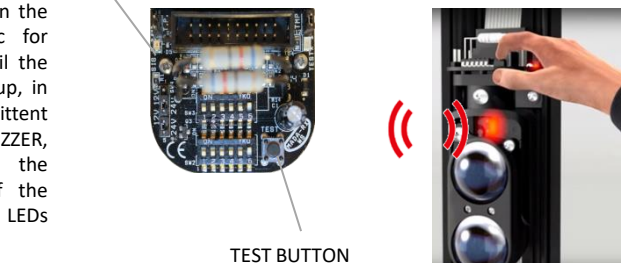
- Set DIP 10 on the receiver motherboard and DIP 1 on the transmitter motherboard to ON, to activate the programming phase, indicated by the flashing of the test LED.



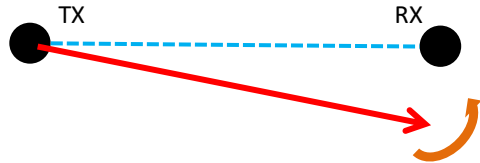
- Start the alignment phase by pressing the TEST button on the first TX optic for about 3 seconds or until the orange TEST LED lights up.



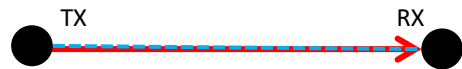
- Press the TEST button on the corresponding RX optic for about 3 seconds or until the orange TEST LED lights up, in addition to the intermittent acoustic signal of the BUZZER, accompanied by the intermittent flashing of the long-range high-intensity LEDs for alignment.



- Orient the TX optic towards the RX optic, vertically and horizontally acting as explained above, until you find the maximum alignment.



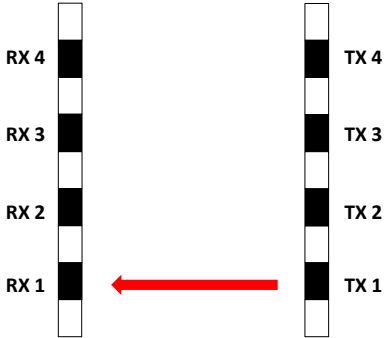
- The maximum alignment condition will be reached when the high-intensity LEDs are on steady and the buzzer will emit a continuous sound, for this reason, it may be necessary to make minor adjustments also on the RX optic.



N.B.: the fixed buzzer sound has a maximum duration of 3 minutes. To obtain a good alignment it is necessary to complete a FULL rotation on the horizontal axis of the RECEIVER optic, thereby performing the SCANNING of the optical signal. This operation is very useful to understand if the alignment of the optics is taking place directly on the same axis and not through reflection, therefore deceptive, because the signal value is much lower, despite having reached the hypothetical maximum alignment signal.

- The partial or total misalignment condition is signalled by the infrequent flashing of the LEDs and by the non-continuous whistle of the buzzer.
- After calibration, tighten the horizontal adjustment screw, and exit the test function by pressing the TEST button on the TX and RX optics for 3 seconds.
- Repeat all the operations on each beam of the barrier.

- After aligning all the optics, set DIP 1 on the transmitter motherboard and DIP 10 on the receiver motherboard to OFF, to automatically activate the **WALK TEST** phase for 60 seconds, the barrier will emit a continuous acoustic signal, in case of interruption of a beam (two if configured in AND) to indicate the correct operation of all the optics. At the end of the time the barrier is ready for its normal operation.



N.B.: During the alignment test phase, the activation of a TX transmitter determines the automatic shutdown of the other TX optics in the column.

At the end of the operation, remove the screen which acts as an attenuator, making sure to have found the optimal value.



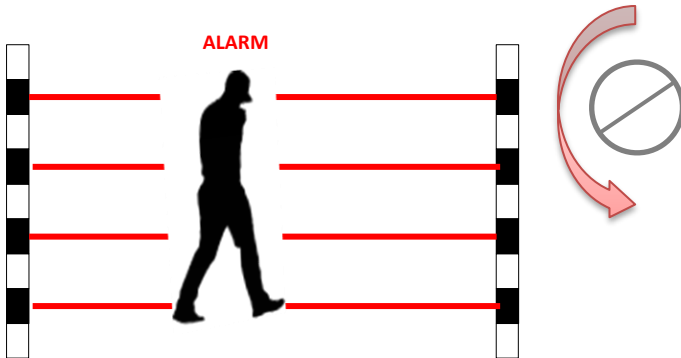
N.B.: Optical synchronism requires greater attention during the installation phases, in particular, that the receiving column is not affected by other sources of IR light.

To be absolutely certain that the alignment of the optics is correct (and therefore no false alignments due to the transmission of other infrared sources, such as other barriers of the same system as well as gate photocells) cover the TRANSMITTER optic with your hand: if the RECEIVER continues to give a continuous beep, it means that it sees another infrared source that must be turned off and eliminated.



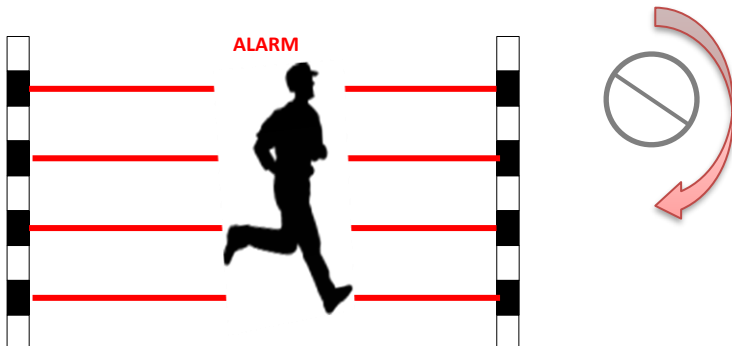
14. Intervention time adjustment

On the SK WS RX motherboard there is a potentiometer to adjust the INTERVENTION TIME. In particular, it is possible to set the barrier for rapid (crossing while running) or slow (crossing while walking) alarms.



By adjusting the potentiometer anticlockwise, the intervention time is increased up to 500ms. In this condition, the alarm of a person crossing the barrier while walking is guaranteed, with the advantage of excluding the possibility of any false alarms (e.g. animal crossing).

By adjusting the potentiometer clockwise, the intervention time decreases down to 50ms. In this condition, the alarm of a person crossing the barrier running at maximum speed is guaranteed.



15.Details of settings and functions

15.1 SK WS TX motherboard

On the SK WS TX motherboard, it is possible to configure different functional conditions, using the 4 DIP SWITCH unit.



4 DIP SWITCH UNIT
FOR CONFIGURATIONS

4 DIP SWITCH UNIT

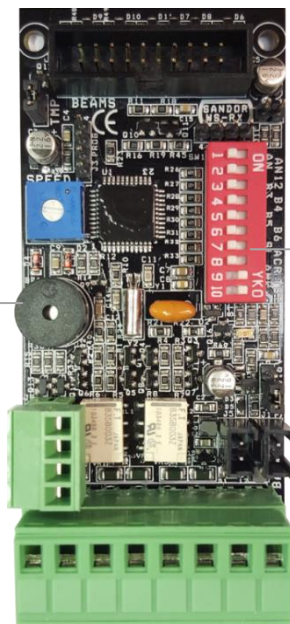
1	TEST	In the ON position, you enter the test phase to perform the alignment. The TEST LED starts flashing
2	/	Not used
3	BEAM ON	Activates all transmitters in test during the alignment phase (DIP 1 ON). Fixed TEST LED
4	BEAM OFF	Deactivates all the transmitters during the alignment phase (DIP 1 ON). Fixed TEST LED



15.2 SK WS RX motherboard

On the SK WS RX motherboard, it is possible to configure different functional conditions, using the 10 DIP SWITCH unit.

Acoustic buzzer for signalling Beam interruption in the Walk Test phase and/or low battery



10 DIP SWITCH UNIT FOR CONFIGURATIONS

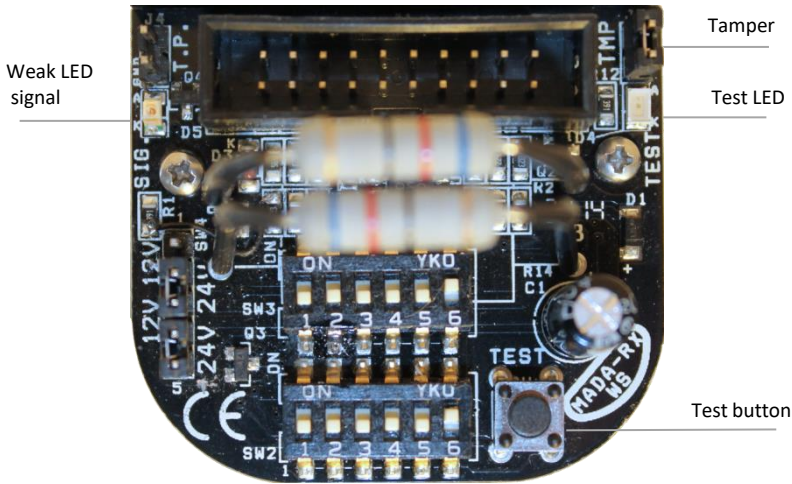
N.B.The barriers are configured and set during the factory testing phase, based on the model with the required number of optics.If it is necessary to change the original number of beams in the field, it is necessary to correctly set the DIP SWITCHES from 3 to 6 on the 10 unit of the SK WS RX motherboard, as shown in the table.

10 DIP SWITCH UNIT

1	AND	In ON the barrier goes into alarm with at least 2 interrupted RX beams
2	AND 1 - 2	In ON the barrier goes into alarm in AND with the two lower beams and in OR with the remaining ones. WARNING: both DIP 1 and 2 cannot be active
3	BEAM 3	In ON the first 3 RXs are active
4	BEAM 4	In ON the first 4 RXs are active
5	BEAM 5	In ON the first 5 RXs are active
6	BEAM 6	In ON the 6 RXs are active
7	S. SLOW	In ON the fog "DISQUALIFICATION" function is activated.In case of fog the barrier is inhibited, blocking the alarm relay.It self-restores as soon as the fog has cleared.The condition information can be transferred from the output of the dedicated terminal.
8	A.CRAWL	When ON, the "ANTI-CRAWL" function is activated, meaning that the blocking of the RX1 beam (the first at the bottom) for at least 2 sec. causes the alarm condition, regardless of whether it was previously set to OR or AND.
9	AMK	In ON the "ANTIMASK" function is activated, therefore in case of masking the alarm is inhibited for the duration.The condition information can be transferred from the output of the dedicated terminal.
10	TEST	In ON the programming and test phase is activated.



15.3 Receiver optic



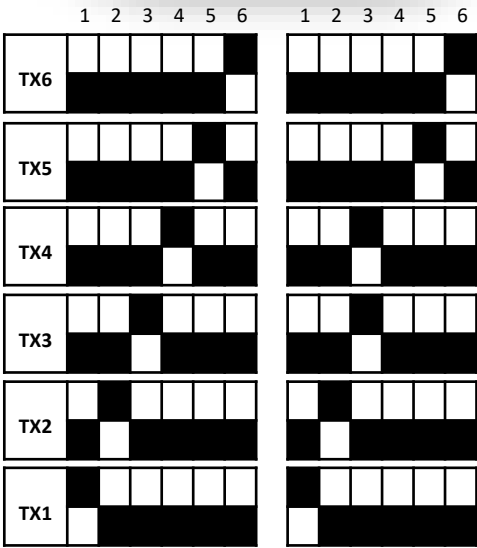
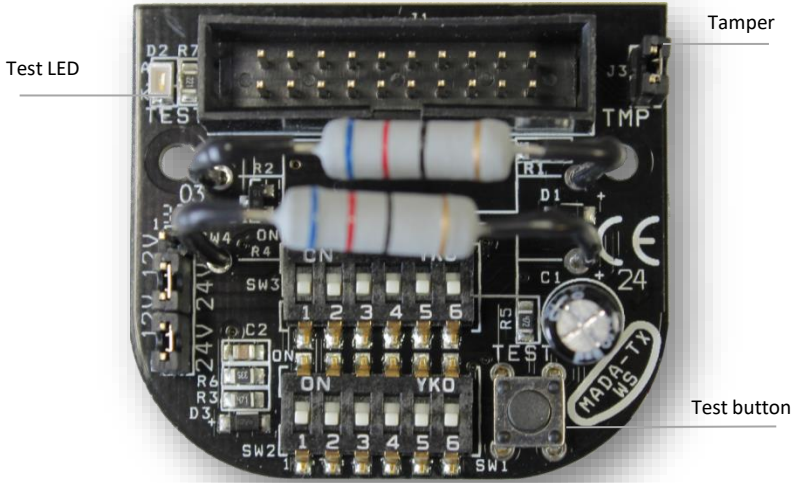
	1	2	3	4	5	6		1	2	3	4	5	6
RX6	Black	Black	Black	Black	Black	Black	White	Black	Black	Black	Black	Black	Black
RX5	Black	Black	Black	Black	Black	Black	White	Black	Black	Black	Black	Black	Black
RX4	Black	Black	Black	Black	Black	Black	White	Black	Black	Black	Black	Black	Black
RX3	Black	Black	Black	Black	Black	Black	White	Black	Black	Black	Black	Black	Black
RX2	Black	Black	Black	Black	Black	Black	White	Black	Black	Black	Black	Black	Black
RX1	Black	Black	Black	Black	Black	Black	White	Black	Black	Black	Black	Black	Black

N.B.:The settings relating to the addresses are already set by default, and shown here in the maximum configuration.

N.B.:The barrier can result in an alarm even if the WEAK LED SIGNAL is off.The cause may be the lack of synchronism or a misaligned transmitter.



15.4 Transmitter optic



N.B.:The settings relating to the addresses are already set by default, and shown here in the maximum configuration.



16. Insulating resin for electrical connections

ONLY INSULATE THE COLUMN AFTER CARRYING OUT ALL THE ELECTRICAL CONNECTIONS INSIDE THE COLUMN AND CARRYING OUT SYSTEM TESTING.

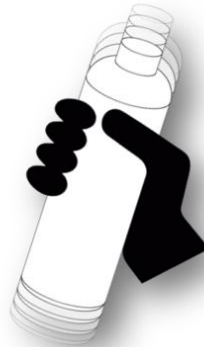
CHARACTERISTICS: insulating resin for electrical connections; prevents the infiltration of water and humidity. Use two-component resin to seal the column and increase the IP protection to IP65, obviously this is possible only if the cover with the cable glands at the base of the column has been used correctly (see step 3 below and paragraph 7 on page 9).

The resin can however be removed for repair and then repositioned.

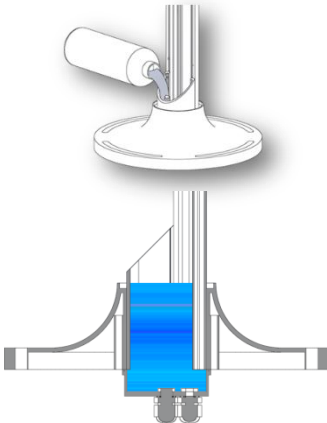
1 Pour the contents of bottle B into A.



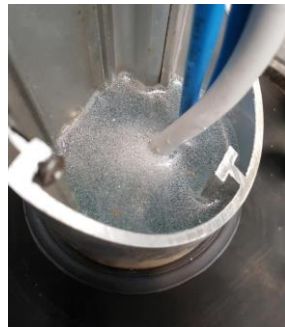
2 Close the cap and shake vigorously for about 1 minute.



3 Pour the obtained resin into the cavity, as shown in the images.



4 The mixture becomes a gel in a few minutes and solidifies completely in 4 hours at 25°C, the time will be shorter if the temperature is lower.



17. Technical specifications

OUTDOOR RANGE	0-50 m
INDOOR RANGE	0-100 m
SYNCHRONISATION	Optical
OPTICAL SENSORS	Double optics with pulsed beams 950 nm
TOTAL BEAMS	2 to 6 parallel (TX / RX / TX + RX)
POWER SUPPLY	230 Vac + 3.6 V 1.8 Ah battery Rechargeable by integrated solar panel
AUTONOMY	2-3 months in the absence of recharge
OPERATING TEMPERATURE	- 10°C / + 70°C. Power heaters for temperatures down to - 25°C.
ALIGNMENT ANGLE	20° Vertical - 180° horizontal
DETECTION SYSTEM	OR / AND 1st and 2nd Beam / AND Random
REMOTE CONTROL	AND Random
ALARM OUTPUT	NC relay contact
DISQUALIFICATION OUTPUT	Automatic, if enabled, with external signalling, O.C.: NO to GND
ANTIMASK OUTPUT	Automatic, if enabled, with external signalling, O.C.:NO to GND
BARRIER TAMPERING OUTPUT	Tamper on columns with NC relay contact on RX board, the TX Tamper optically transmitted on RX after 30 seconds
LOW BATTERY	Buzzer acoustic signalling on alarm and signalling to the outside, O.C.:NO to GND
EXTERNAL SCREEN	Infrared with UV filter
PROFILE DIMENSIONS $\Phi \times H$	Tube diameter 80mm x from 1200mm to 3000mm on a 300mm round base
INGRESS PROTECTION RATING	IP 54 or 65 on request
WARRANTY	2 YEARS

18. FAQ

I can't align	<p>Check that there are no obstacles of any kind interposed between RX and TX and that the conditions of the site do not represent an impediment.</p> <p><u>N.B. remember to reactivate the optics once the alignment operation is finished.</u></p>
	<p>Make sure that the TX is in the test phase (orange LED of the optic in question ON and the others OFF).</p>
	<p>Make sure that the connectors are well inserted and that the DIP configuration is correct;</p>
	<p>Make sure there are no external light sources that interfere with the correct reading of the signal (gate photocells, other barriers, infrared etc.).</p>



<p>After accurately aligning the sensor (LED light on steady and continuous BEEP) the system remains in alarm</p>	<p>Check which receiver optic does not pick up the corresponding transmitter. To do this, set the AND mode, if the barrier is no longer in alarm, obscure each beam individually finding the one that does not generate the general alarm, this beam is not aligned.</p>
	<p>Make sure that the connectors are well inserted and that the DIP configuration is correct.</p>
	<p>Make sure there are no external light sources that interfere with the correct reading of the signal (gate photocells, other barriers, infrared etc.).</p>
<p>The system goes into alarm with fog and rain</p>	<p>Check the alignment accuracy of each individual optic and, if necessary, carry out the procedure by performing a complete scan, making sure that there are no light sources that can influence the calibration.</p>
	<p>Check that the fog disqualification function is active.</p>
	<p>Make sure that the structure is well sealed and check that there are not already disturbing elements inside (water, insects etc.).</p>
	<p>For more precise alignment, position one side of the column cover in front of the lenses in order to have two surfaces interposed between TX and RX to double the attenuation of the beam.</p>
<p>Repeated false alarms</p>	<p>If they are caused by the passage of animals, use the AND, AND 1-2 functions or increase the intervention time.</p>
	<p>Check the alignment accuracy of each individual optic and, if necessary, carry out the procedure by performing a complete scan, making sure that there are no light sources that can influence the calibration.</p>
	<p>To avoid radio disturbances use as a link between the wireless transmitter and barrier a shielded cable with the braiding to the negative of the terminal board.</p>
<p>The system goes into disqualification even in the absence of fog</p>	<p>Check the alignment accuracy of each individual optic and, if necessary, carry out the procedure by performing a complete scan, making sure that there are no light sources that can influence the calibration.</p>
	<p>For more precise alignment, position one side of the column cover in front of the lenses in order to have two surfaces interposed between TX and RX to double the attenuation of the beam.</p>



19.Product disposal

All components of this barrier are an integral part of the equipment and must be disposed of together with it.

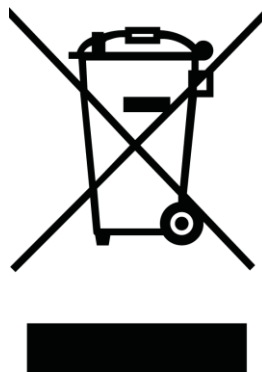
Just as with installation operations, also at the end of life of these products, the dismantling operations must be carried out by qualified personnel.

These products are made up of various types of materials: some can be recycled and others must be disposed of. Find out about available recycling or disposal systems for this category of products governed by regulations in force in your area.

Warning!- Some parts of the products may contain polluting or dangerous substances which, if dispersed in the environment, could result in harmful effects on the environment itself and on human health.

As indicated by the symbol on the side, it is forbidden to throw these products in domestic waste. Therefore, carry out "separate collection" for disposal, according to the methods stipulated by the regulations in force in your area or return the products to the seller when purchasing a new equivalent product.

Warning!- Local regulations can impose heavy penalties for incorrect disposal of these products.





For technical support, contact your security
systems distributor